

Joe Jr.™

 **KAMADOJOE®**
Ceramic Grills



Features & Components



Top Vent



Hinge



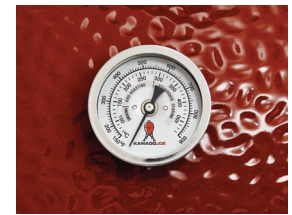
Handle



Ash Drawer



Heat Deflector and Grill Grate



Thermometer

Specifications

Dimensions	Cooking Surface	Weight	Heat Range
16 in W x 22 in H x 20.75 in D with stand: 19.75 in W x 27 in H x 20.75 in D	13.5 in diameter/148.5 sq in	68 lbs	225°F–750°F+
40,6 cm W x 55,8 cm H x 52,7 cm D with stand: 50,1 cm W x 68,5 cm H x 52,7 cm D	34,2cm diameter/377,1 sq cm	30,8 kg	82°C–399°C

Materials

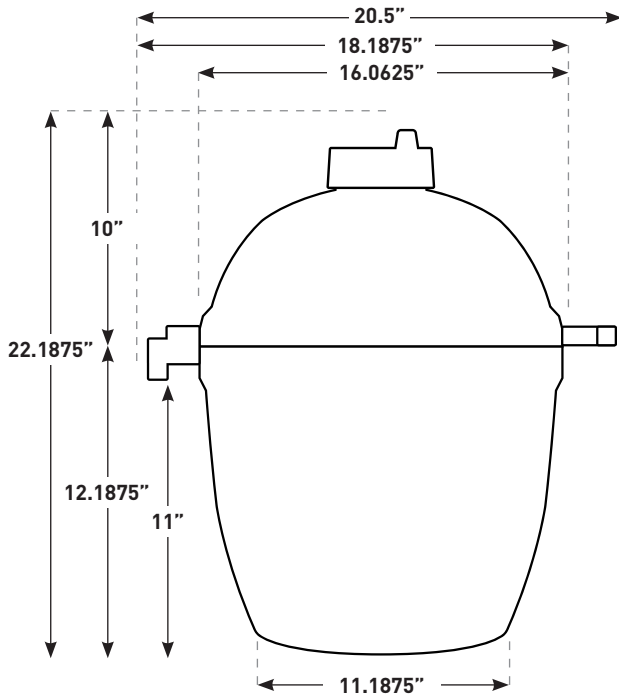
Base/Lid	High Fire Heat-Resistant Ceramics	Handles/Shelves	HDPE (High-Density Polyethylene)
Glaze	Heat-Resistant Ceramic Coating	Hinge	Powder-Coated Galvanized Iron
Top Vent	Powder-Coated Cast Iron	Draft Door	304 Stainless Steel
Grill Grate	304 Stainless Steel	Cart	Powder-Coated Cast Iron
Fire Box/Ring	High-Fire Heat-Resistant Ceramics		

Joe Jr. Dimensions & Installation Guide

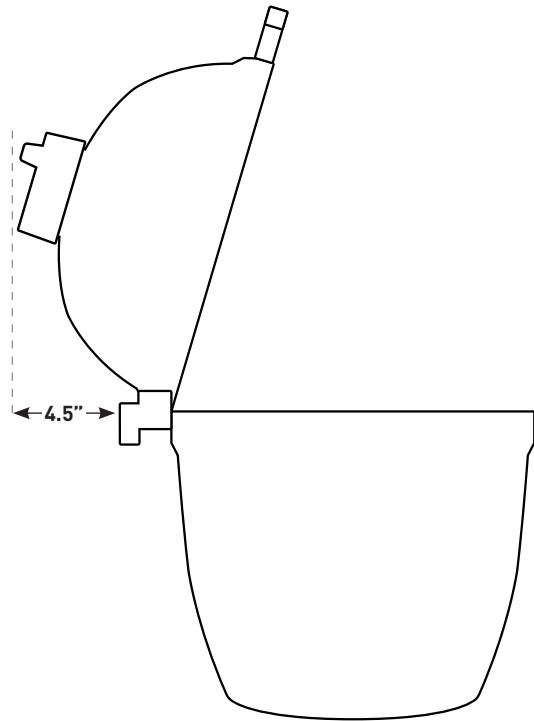
IMPORTANT DIMENSION NOTES

Please use this as a general guide for installing a Joe Jr. ceramic grill in a built-in outdoor kitchen or grill table. We highly recommend that the actual grill being installed be measured. Drawing is not to scale.

SIDE VIEW



OPEN CLEARANCE



TOP VIEW

