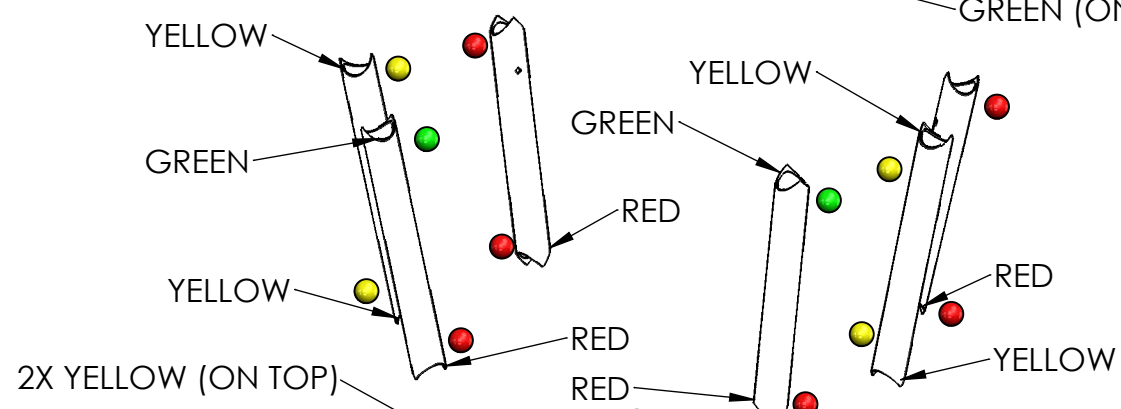
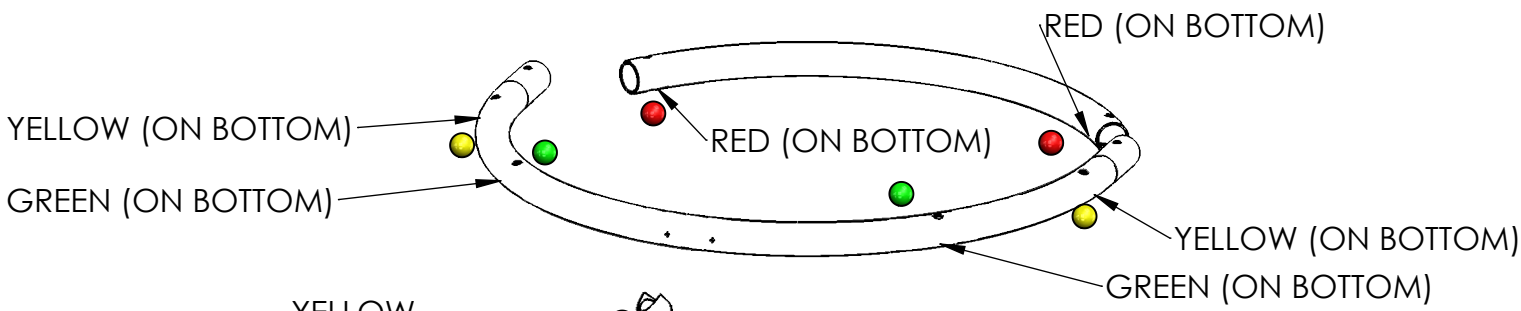
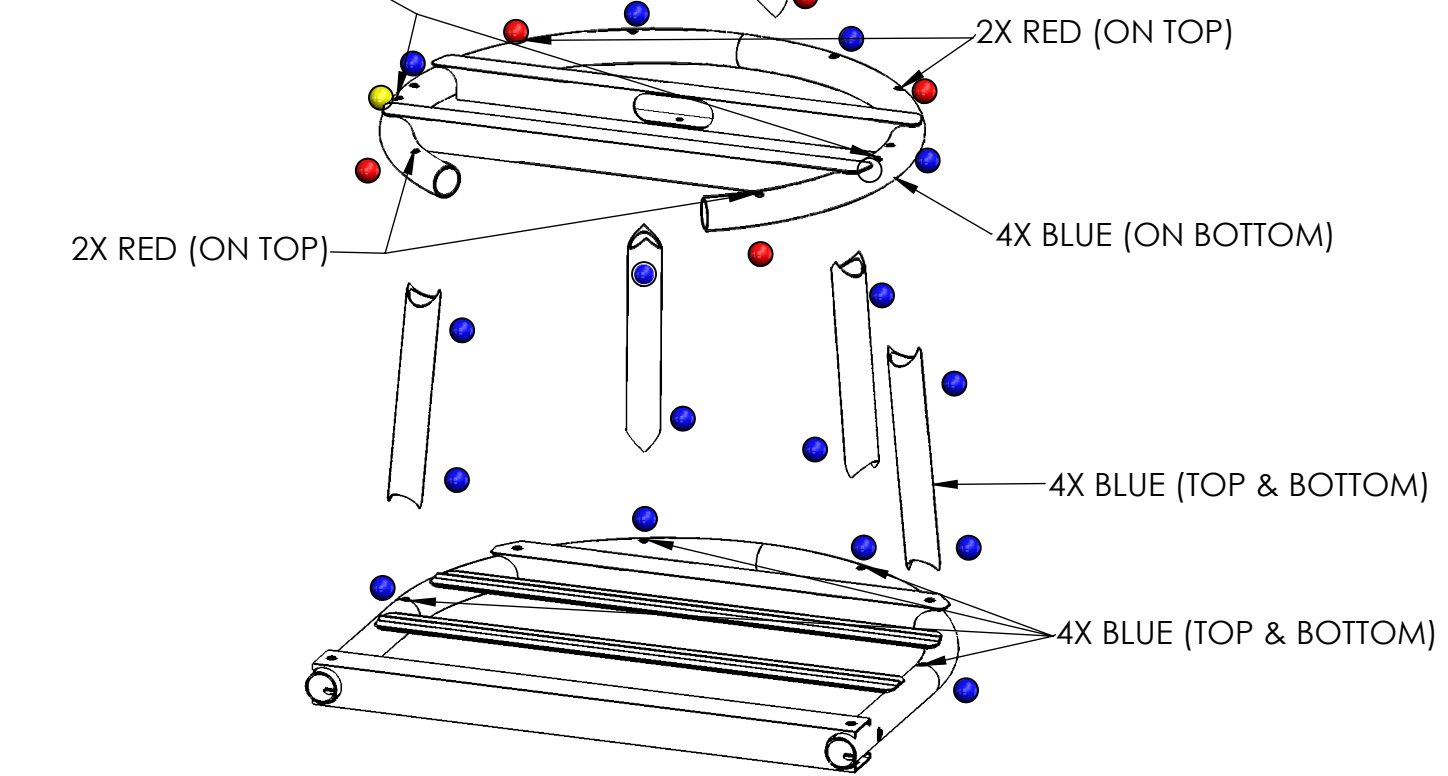


**TUBING ONLY**  
**SHOWN WITH OFFROAD HANDLES**



**TUBE LABELING**

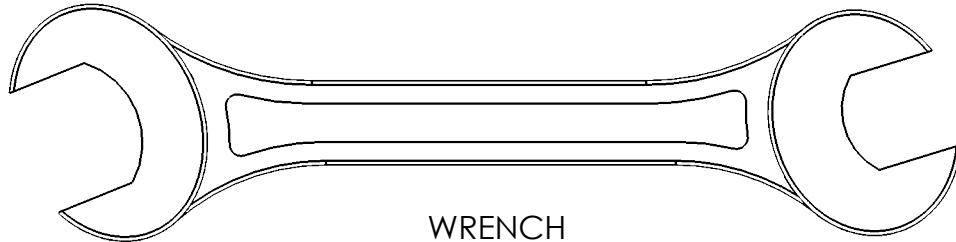
**FASTENERS (NOT SHOWN)  
HAVE MATCHING COLOR  
BANDS ON THREADS UNDER  
SCREW HEAD**



## TOOLS REQUIRED

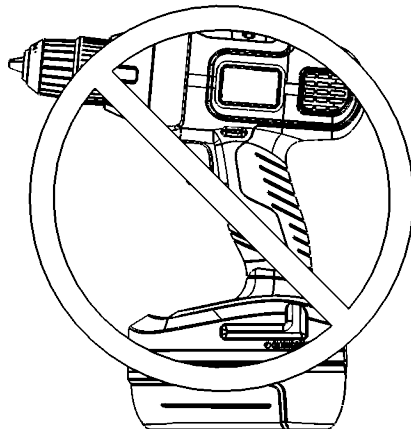


ALLEN WRENCH  
5MM & 8MM

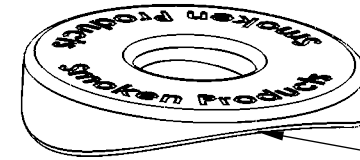


WRENCH  
1/2" (13MM) 9/16" (14MM) 3/4"

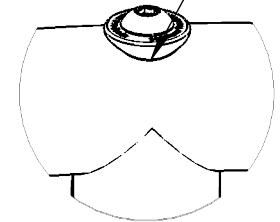
## DO NOT USE DRIVER



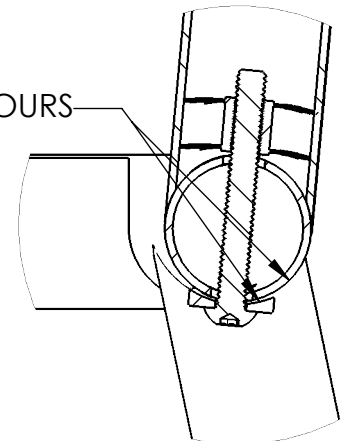
## SADDLE WASHER

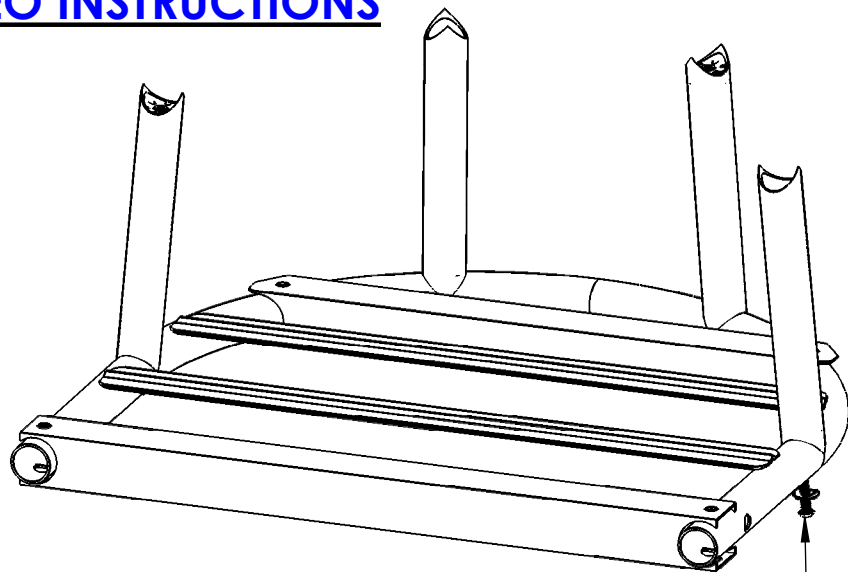


SADDLE WASHER  
CONTOUR TO MATCH  
TUBING. NOT DOING THIS  
WILL CRACK/BREAK  
SADDLE WASHER



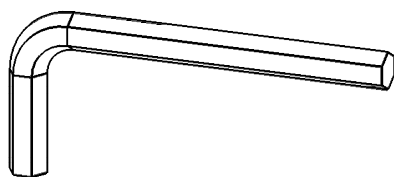
MATCHING CONTOURS





step 1

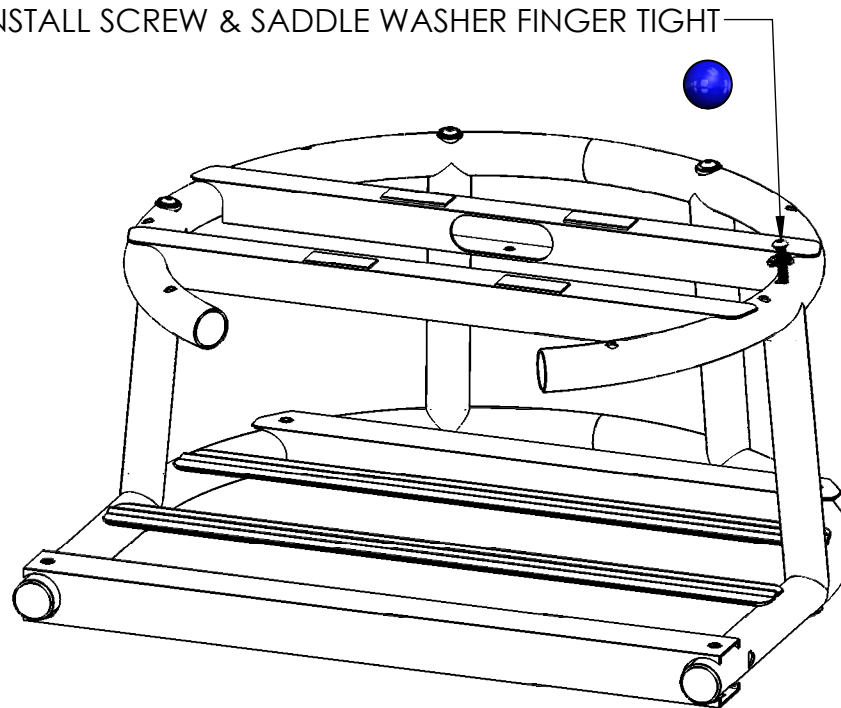
4X INSTALL SCREW & SADDLE WASHER FINGER TIGHT



ALLEN WRENCH  
5MM

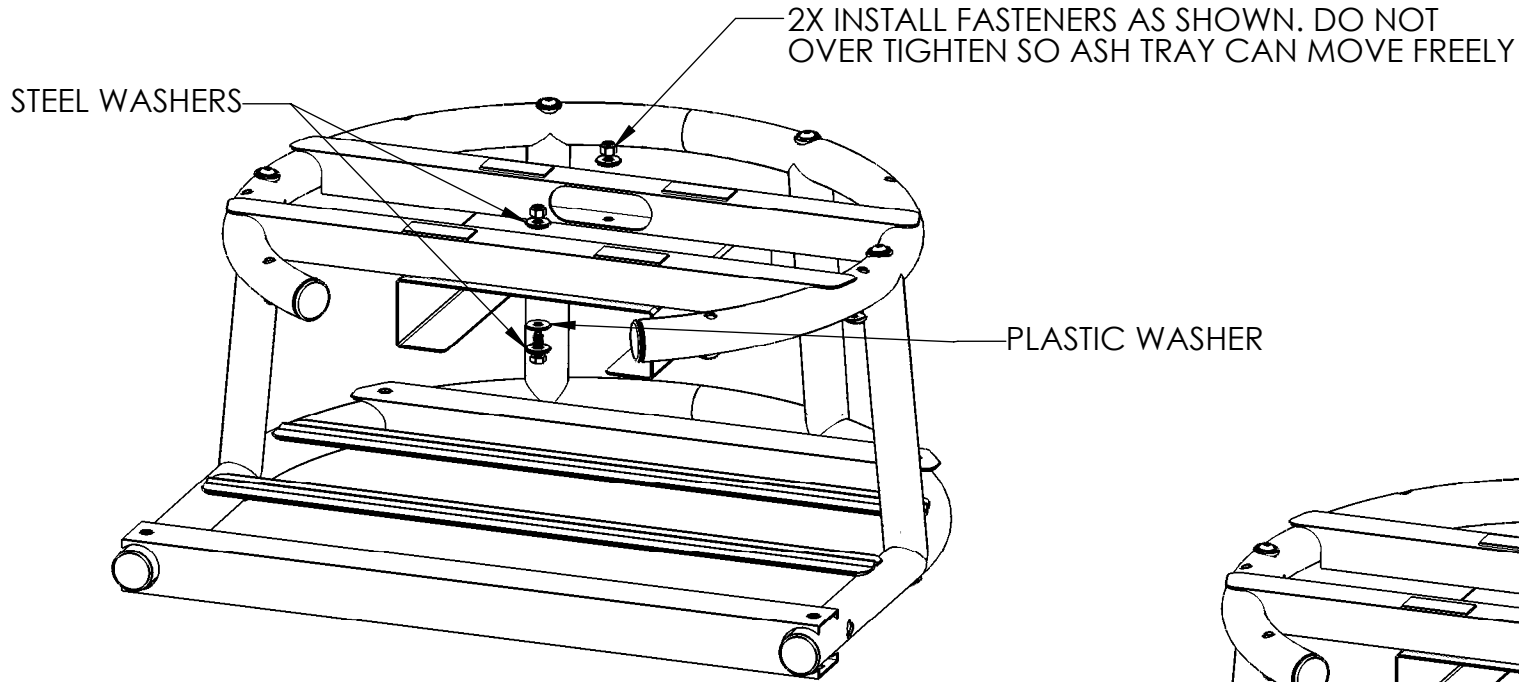
REFERENCE TUBE COLOR CODED SHEET  
ONCE THESE STEPS ARE COMPLETE, SNUGG  
TIGHTEN ALL FASTENERS PLUS A 1/4 TURN

4X INSTALL SCREW & SADDLE WASHER FINGER TIGHT



step 2

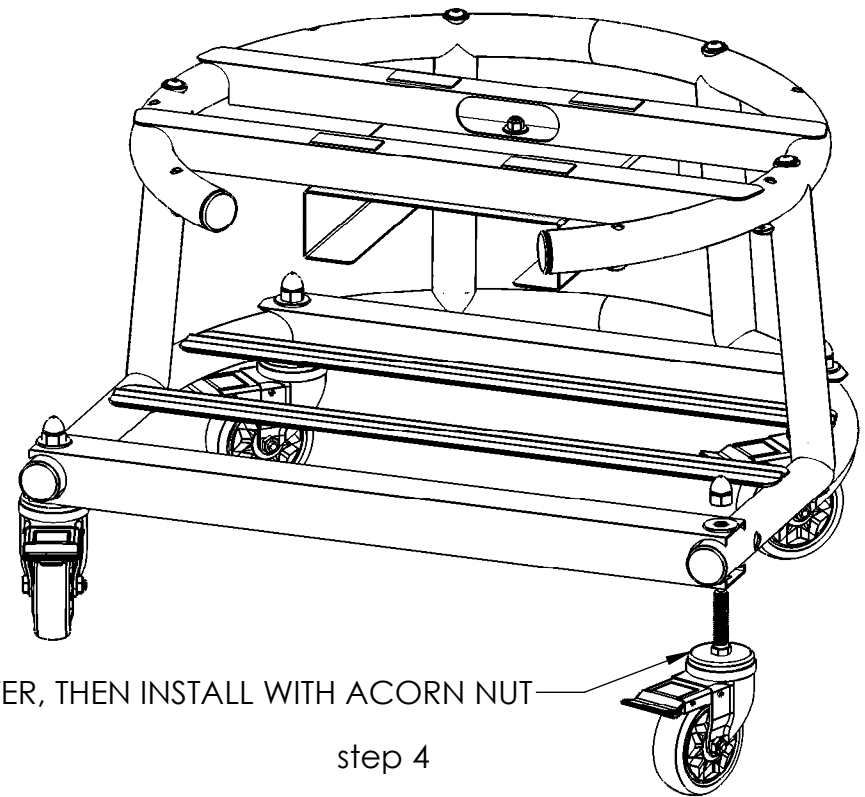
# VIDEO INSTRUCTIONS



step 3



WRENCH  
1/2" (13MM) 9/16" (14MM)



step 4

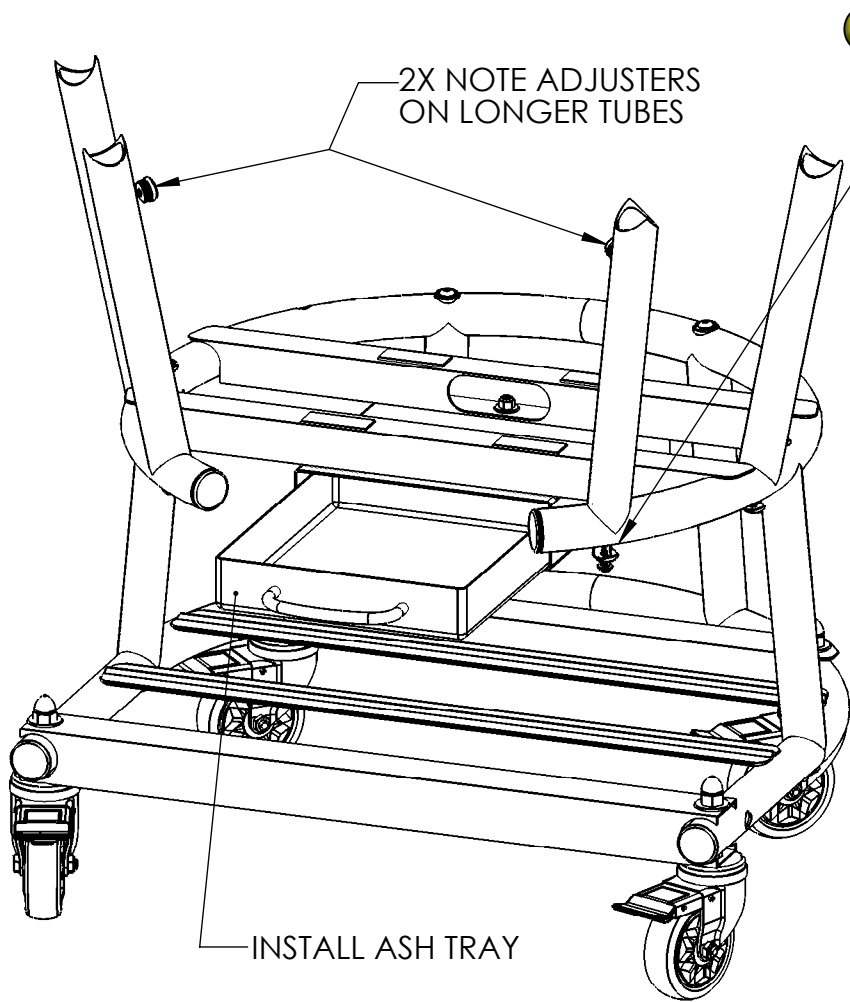


WRENCH  
3/4"



4X INSTALL SCREW & SADDLE WASHER FINGER TIGHT

2X NOTE ADJUSTERS  
ON LONGER TUBES



INSTALL ASH TRAY

step 5



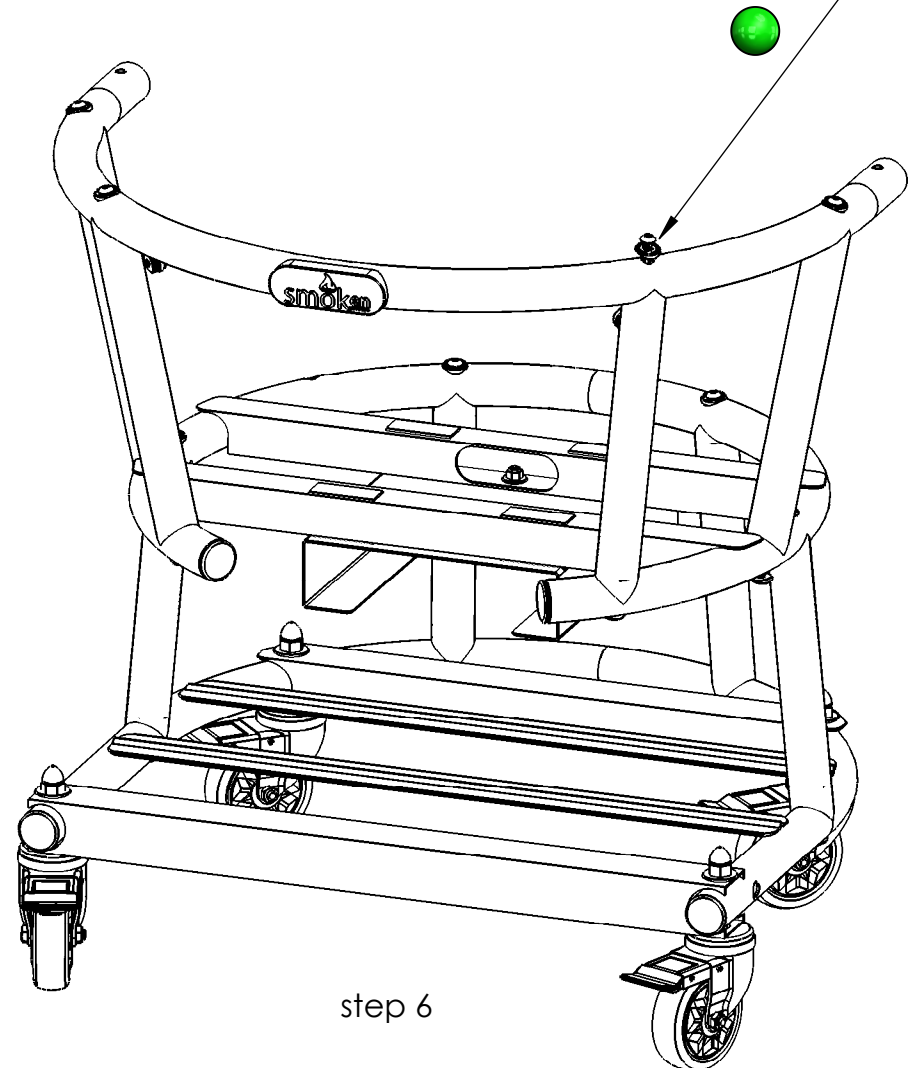
ALLEN WRENCH  
5MM

## VIDEO INSTRUCTIONS



REFERENCE TUBE COLOR CODED SHEET  
ONCE THESE STEPS ARE COMPLETE, SNUGG  
TIGHTEN ALL FASTENERS PLUS A 1/4 TURN

4X INSTALL SCREW & SADDLE WASHER FINGER TIGHT



step 6

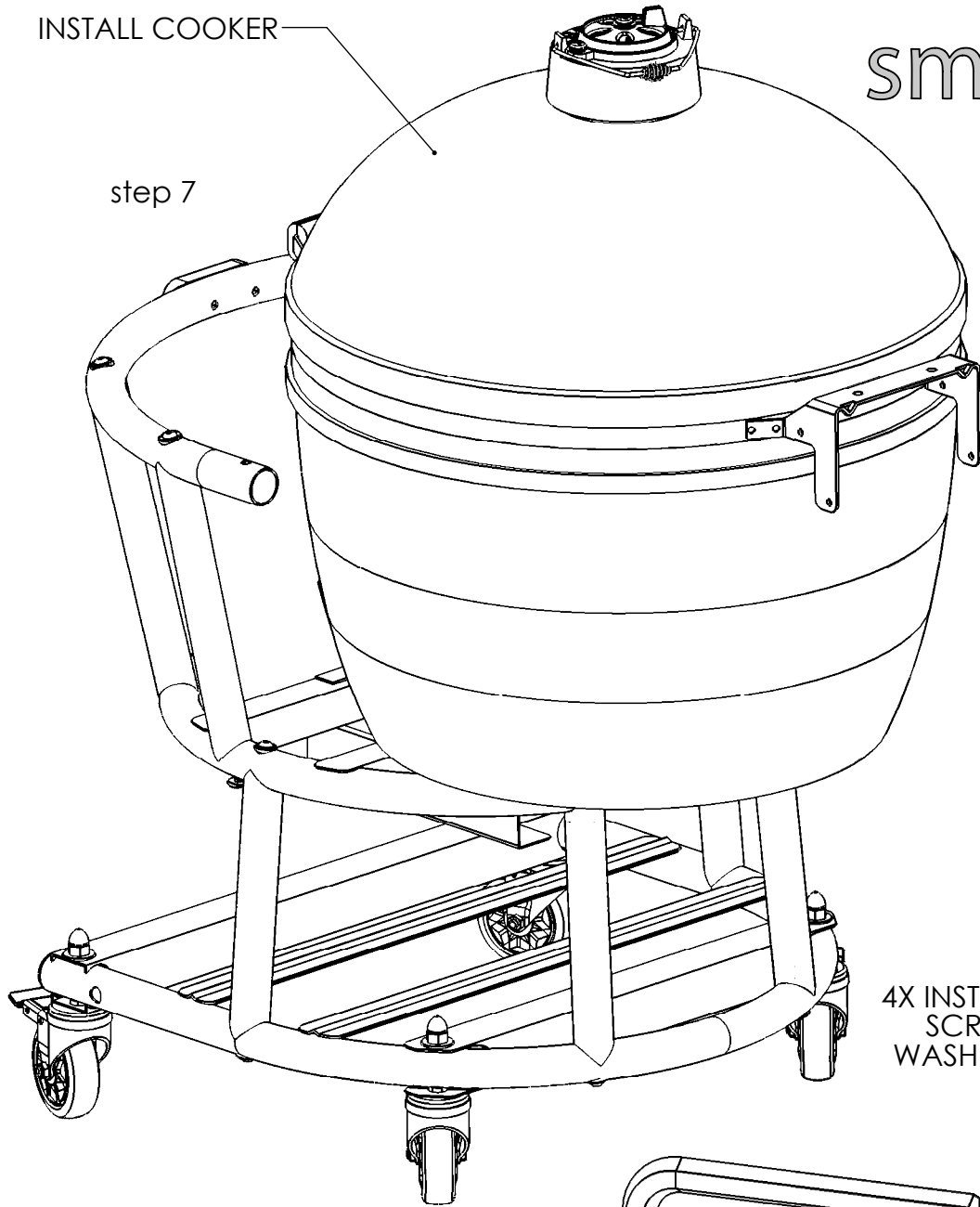
# VIDEO INSTRUCTIONS



REFERENCE TUBE COLOR CODED SHEET  
4X TUNE ADJUSTERS AS NEEDED AFTER STEP 8

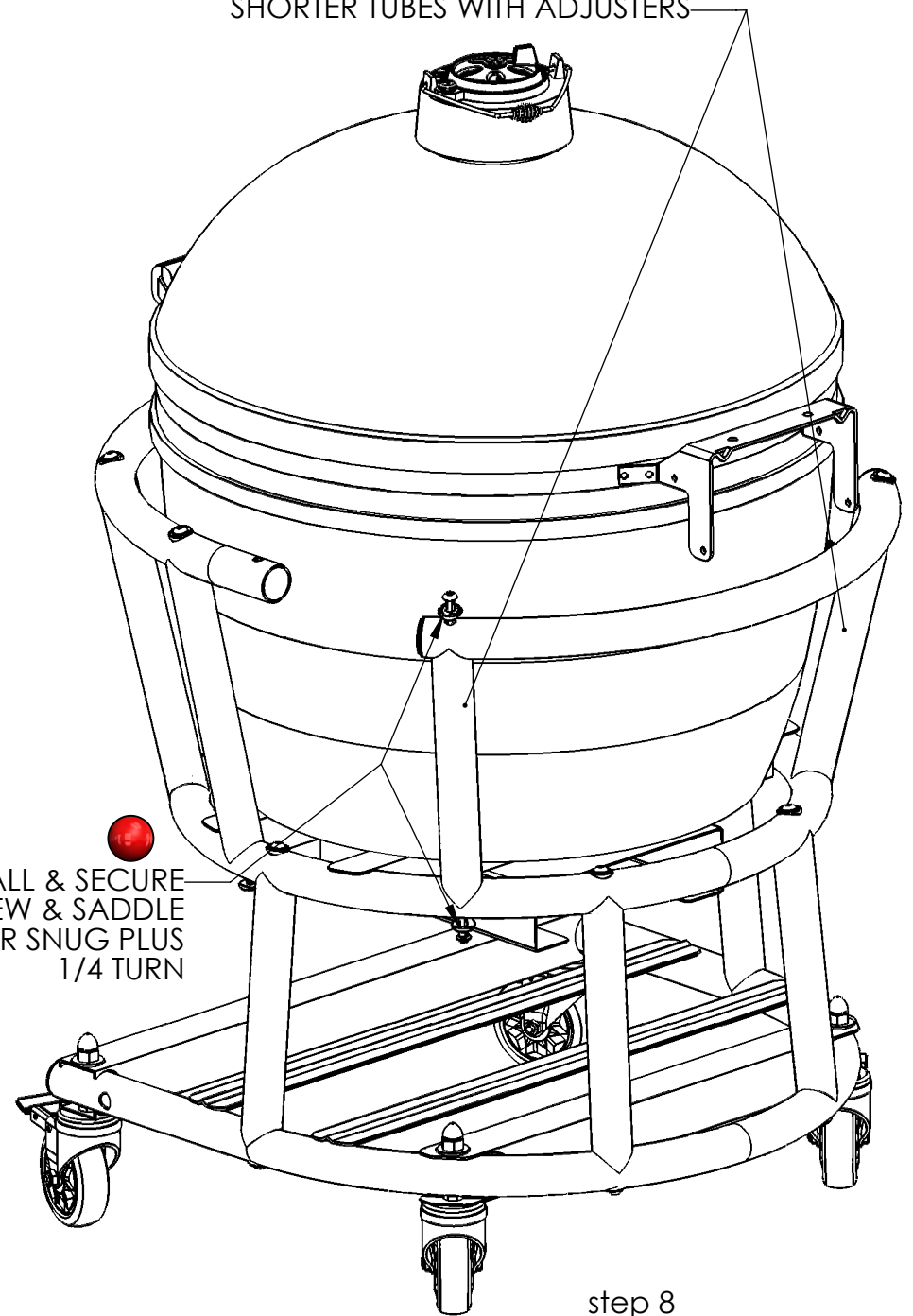
INSTALL COOKER

step 7

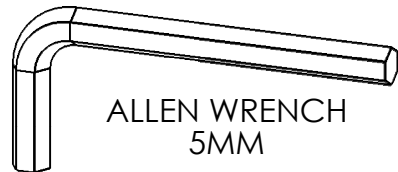


SHORTER TUBES WITH ADJUSTERS

4X INSTALL & SECURE  
SCREW & SADDLE  
WASHER SNUG PLUS  
1/4 TURN



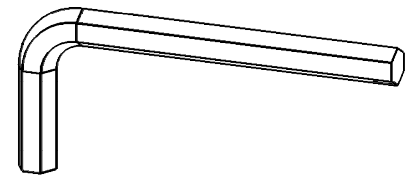
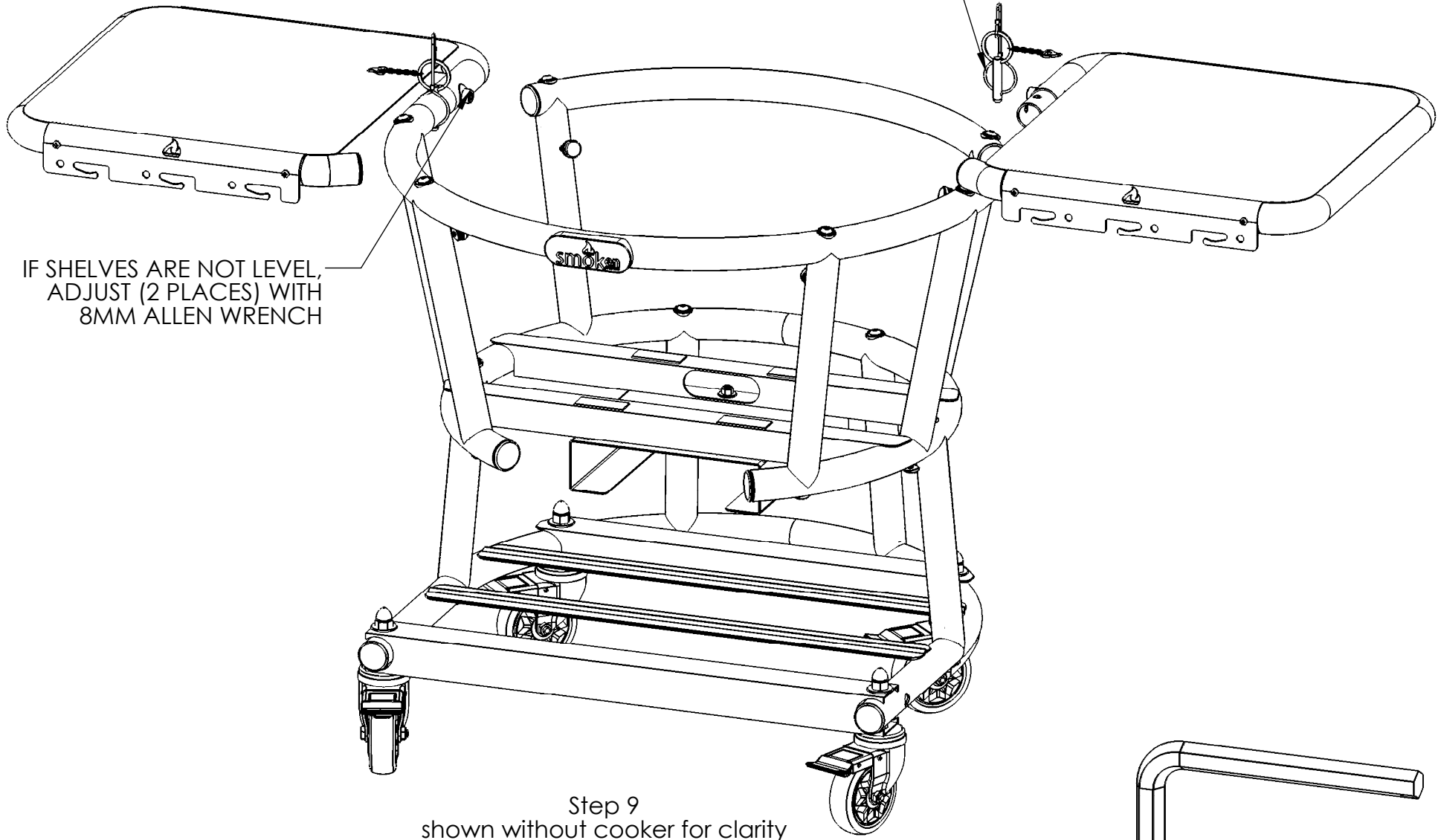
ALLEN WRENCH  
5MM



# VIDEO INSTRUCTIONS



2X INSTALL LANYARD ON TUBING, SLIDE SHELF ON AND SECURE WITH LOCKING PIN



ALLEN WRENCH  
8MM